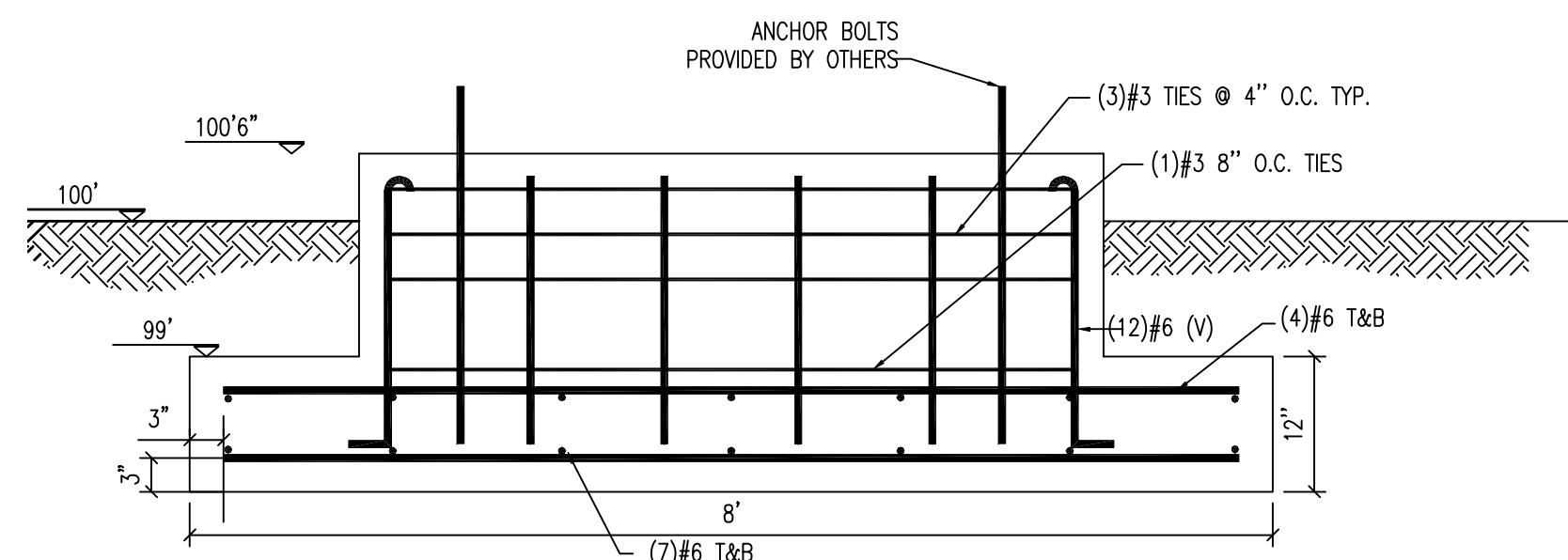
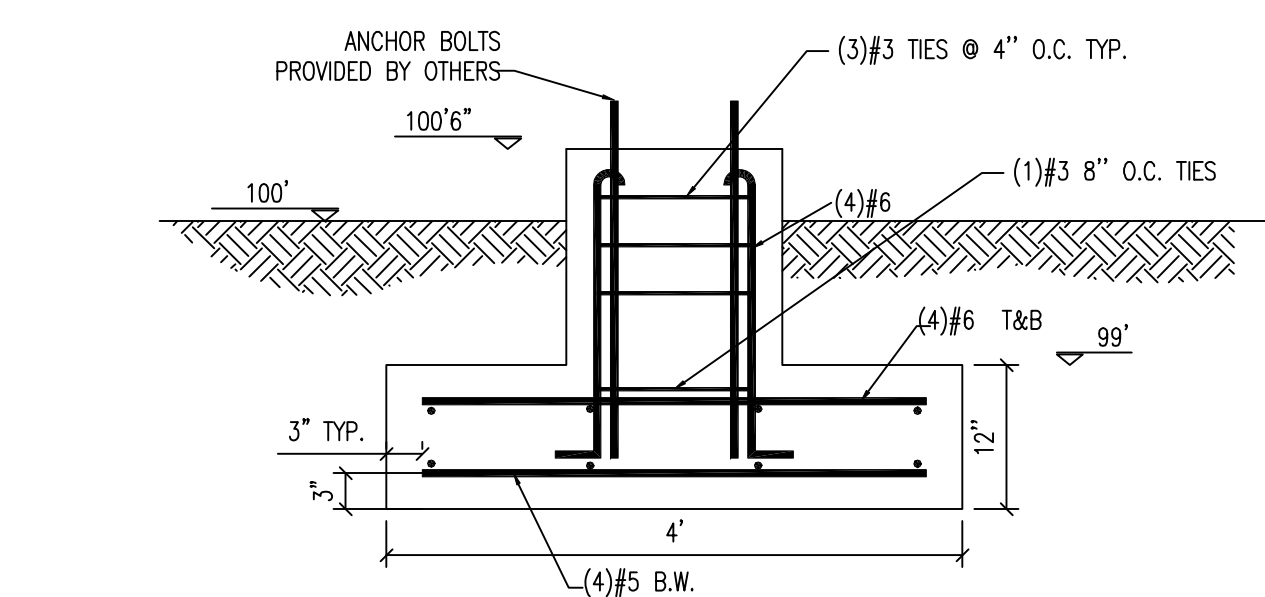
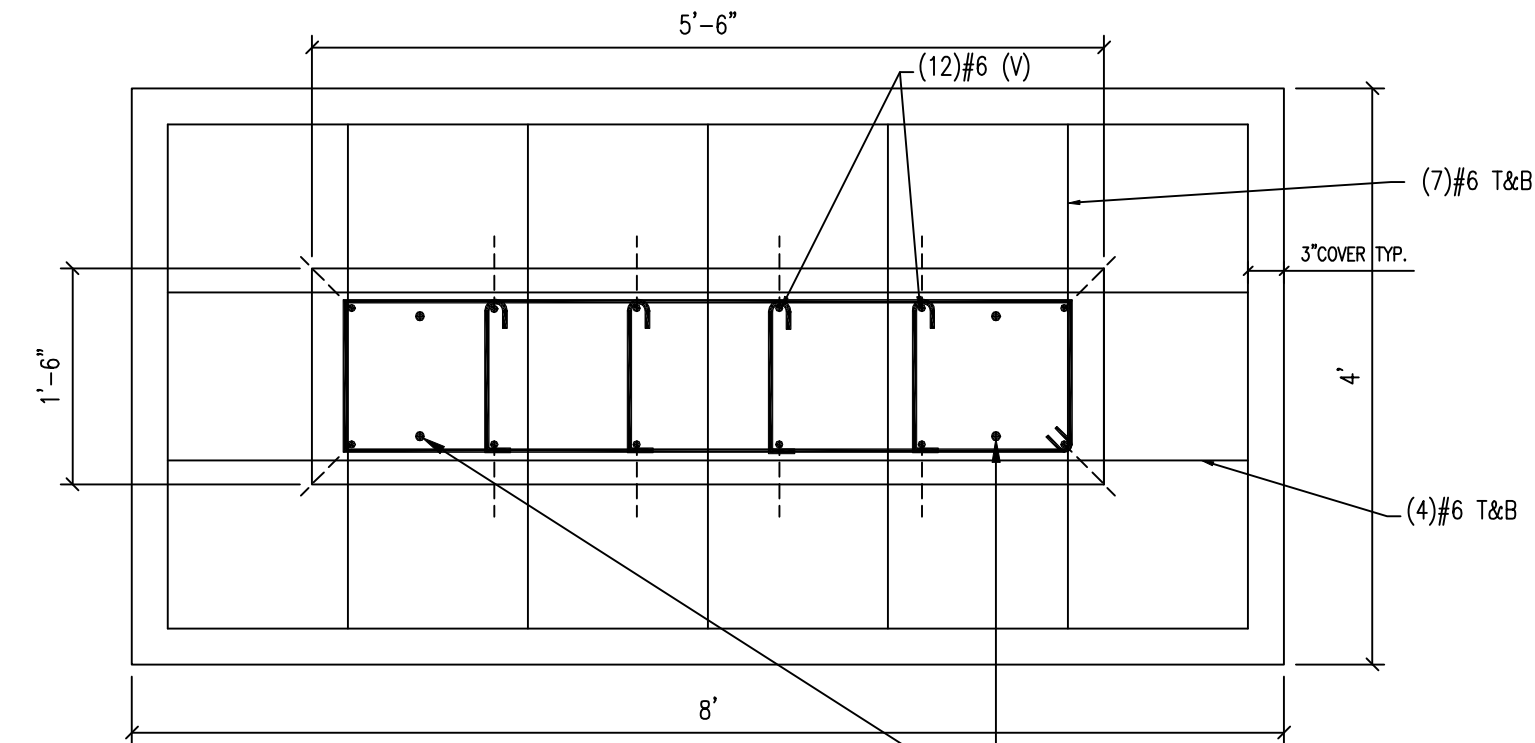


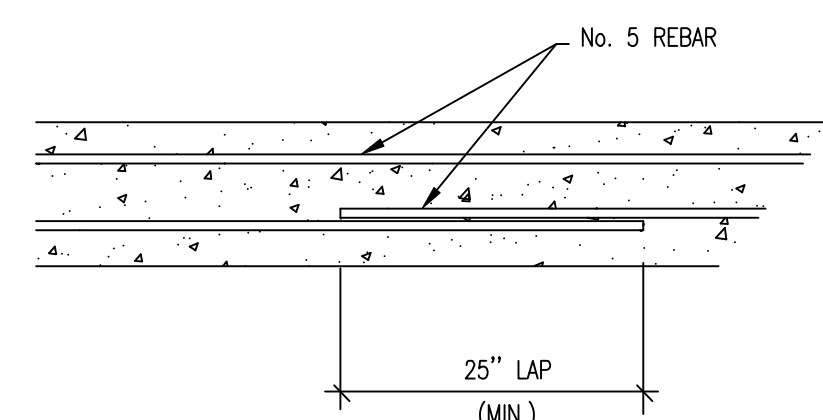
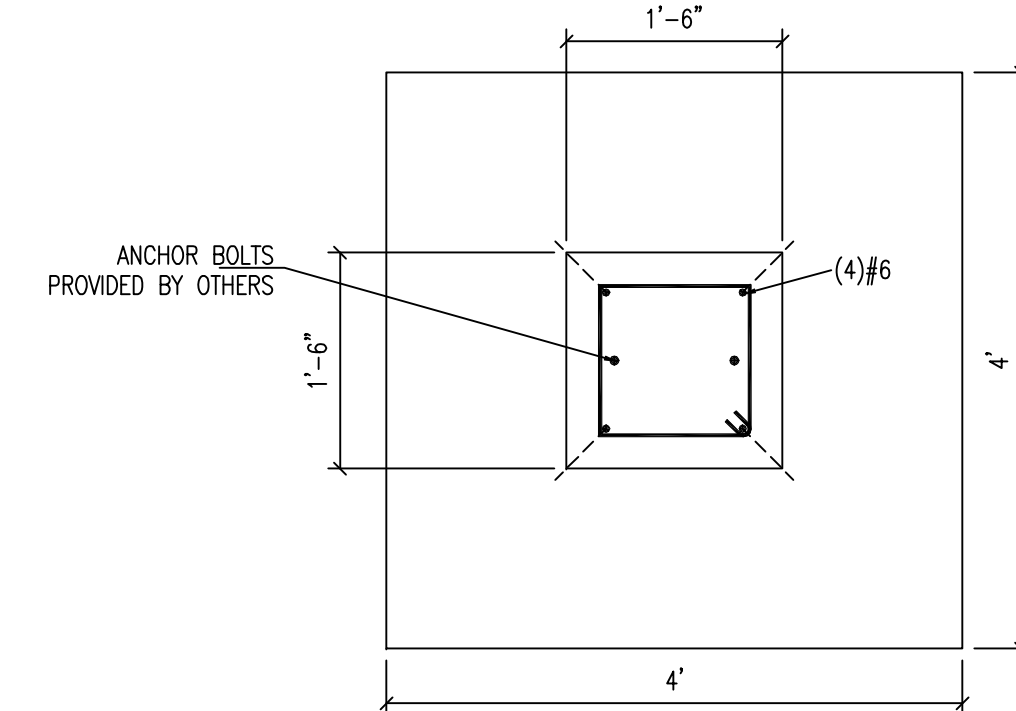
DETAIL G
4'4" X 5' PAD
SCALE 3/4" = 1'



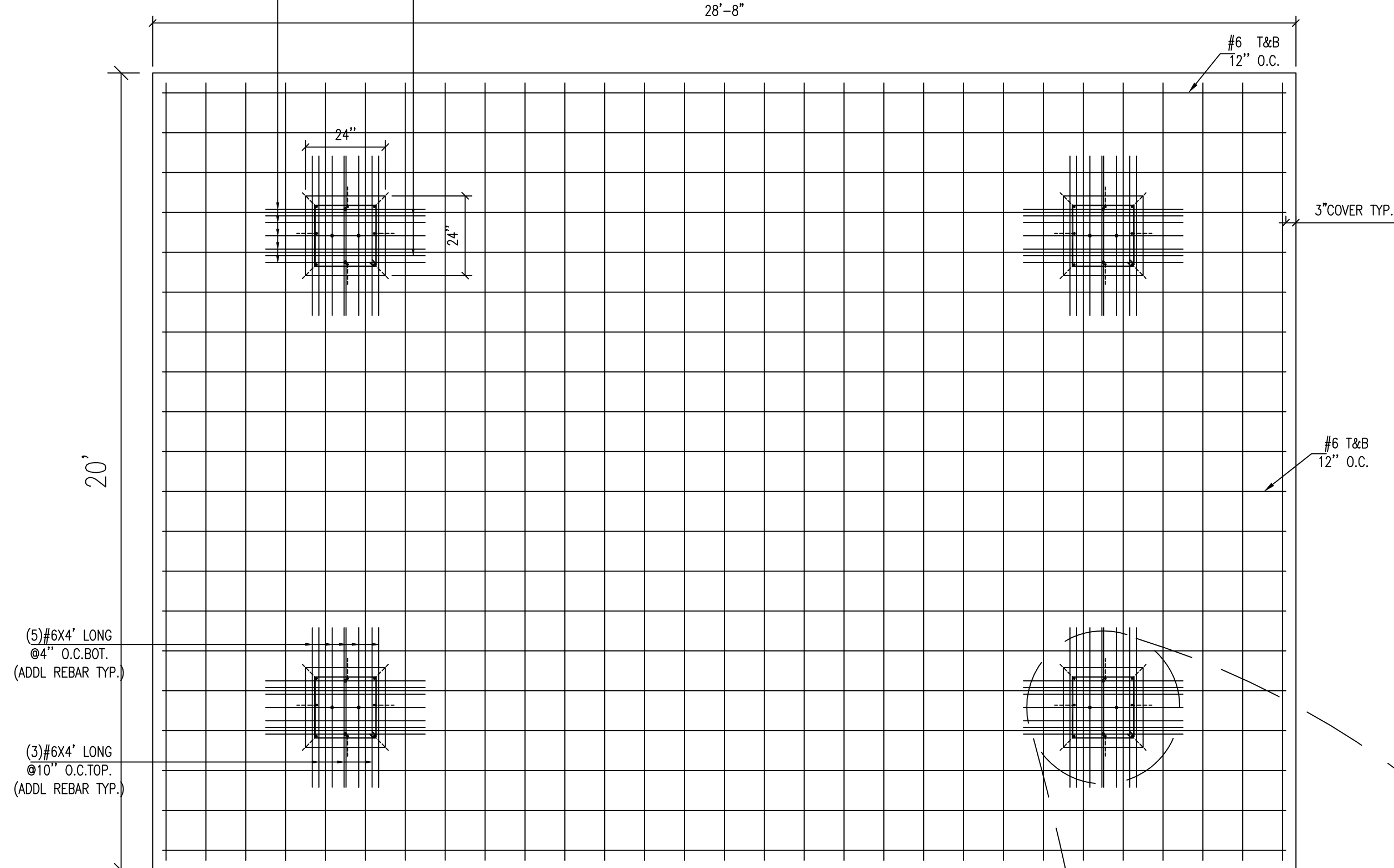
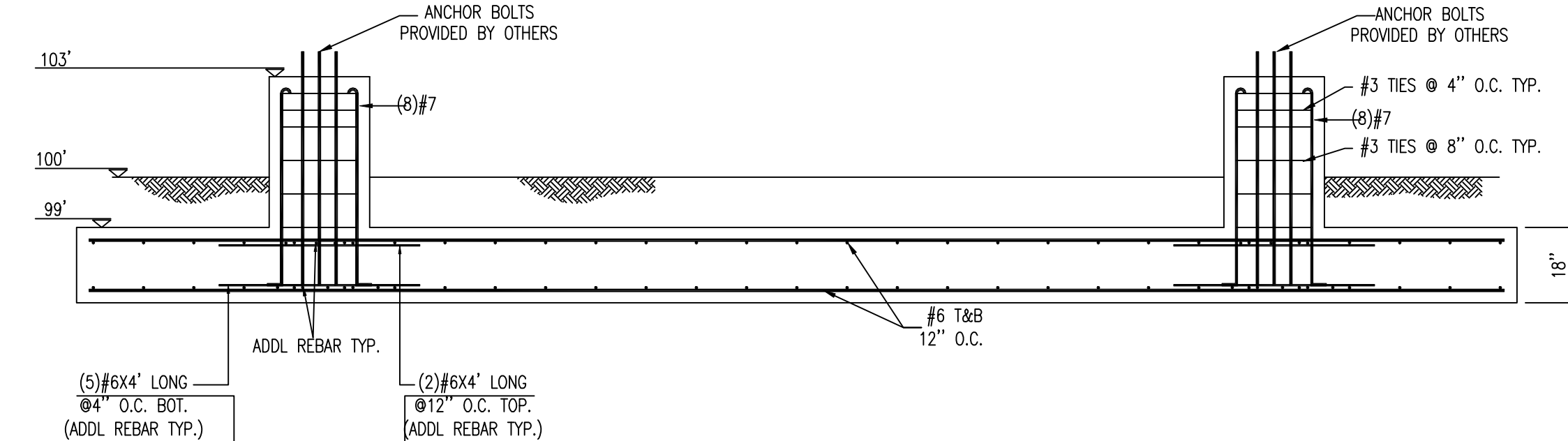
DETAIL A
8' X 4' PAD
SCALE 3/4" = 1'



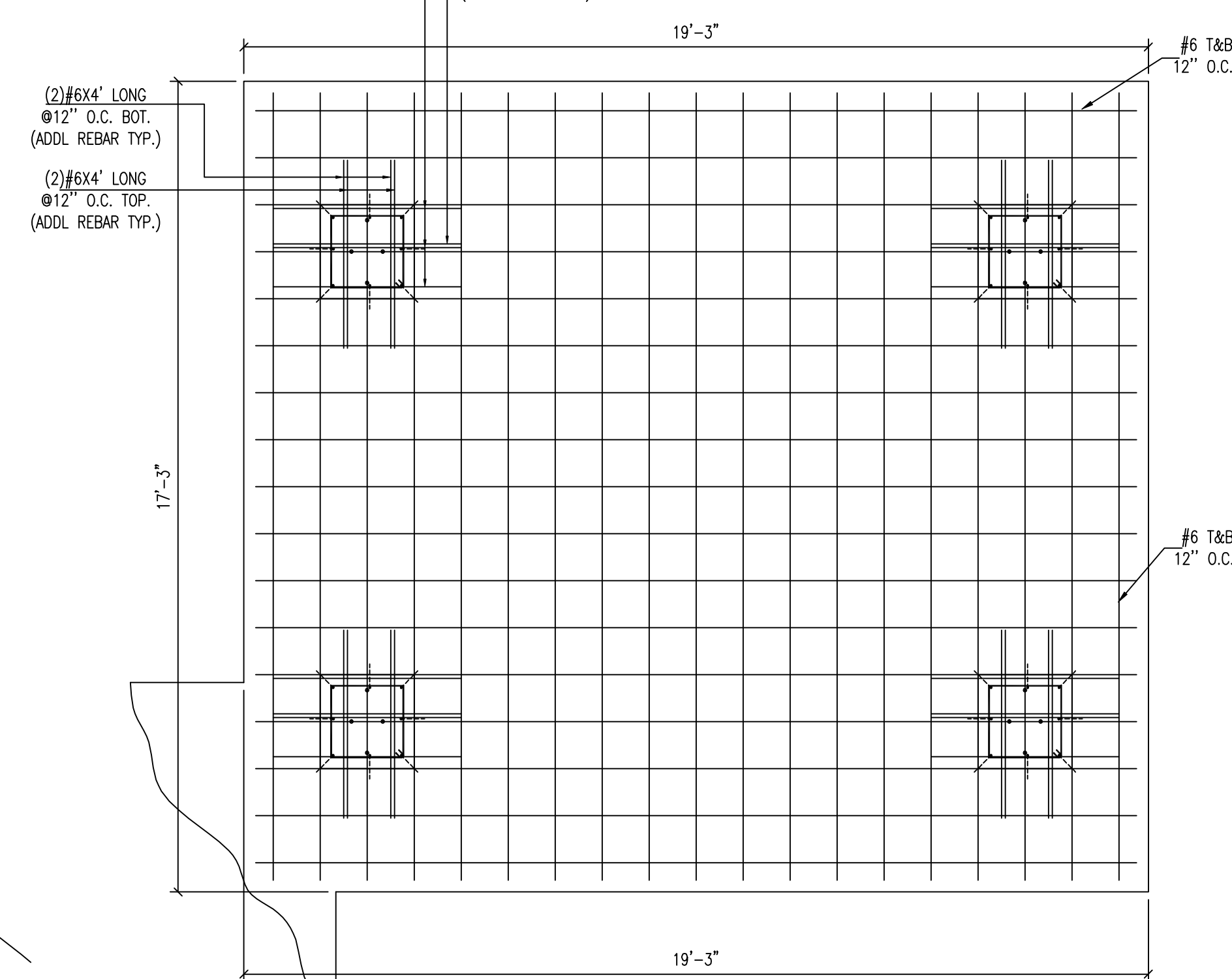
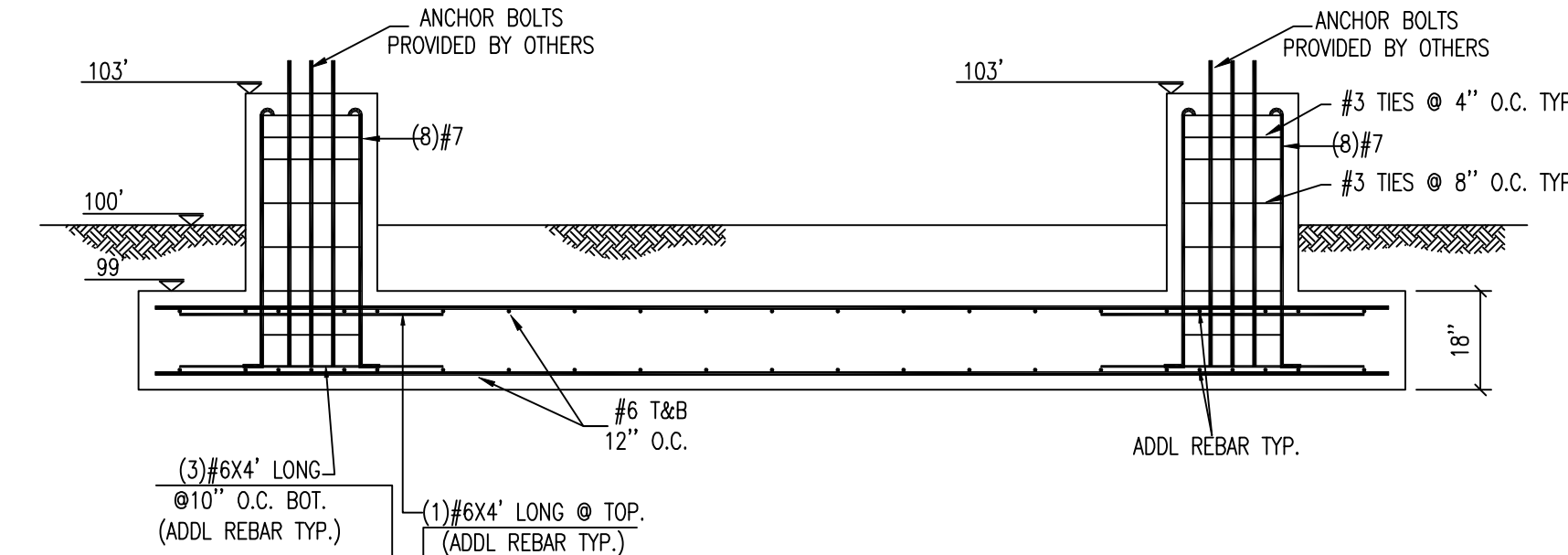
DETAIL B
4'X4' PAD
SCALE 3/4" = 1'



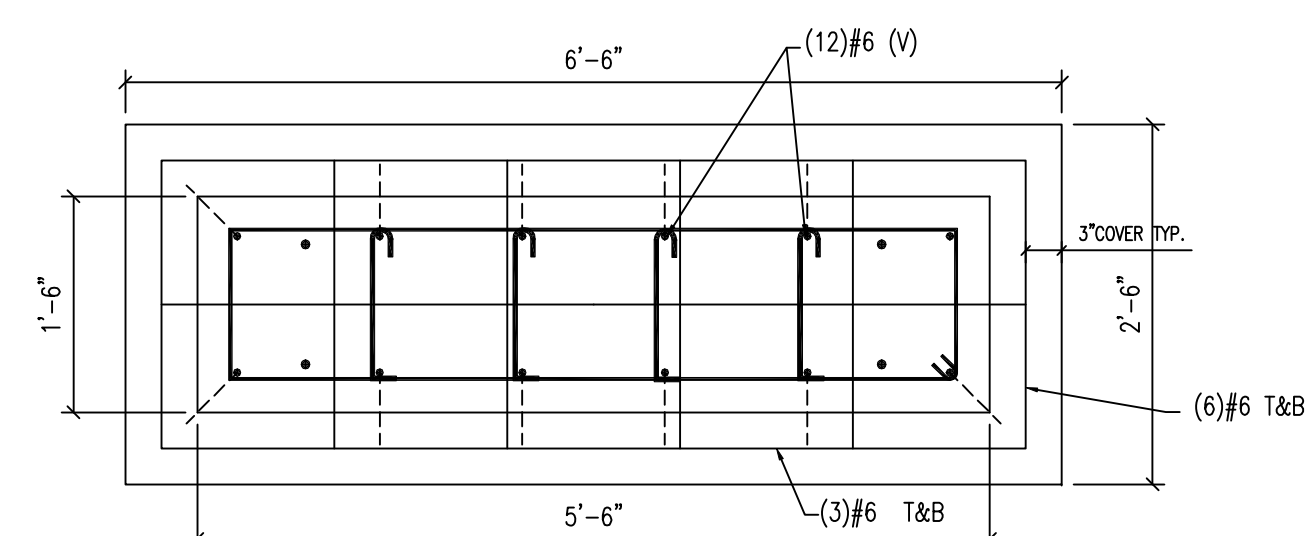
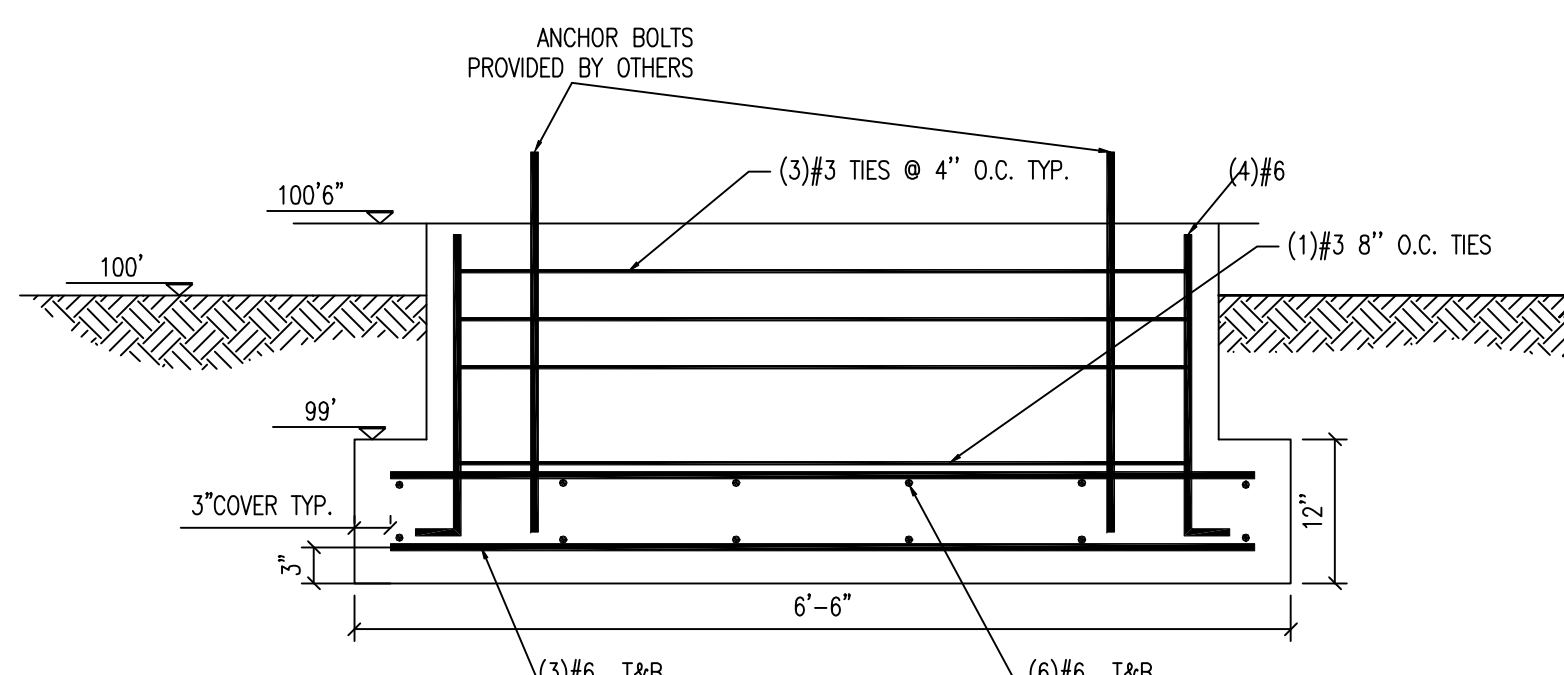
FTG. STEEL LAP
N.T.S.



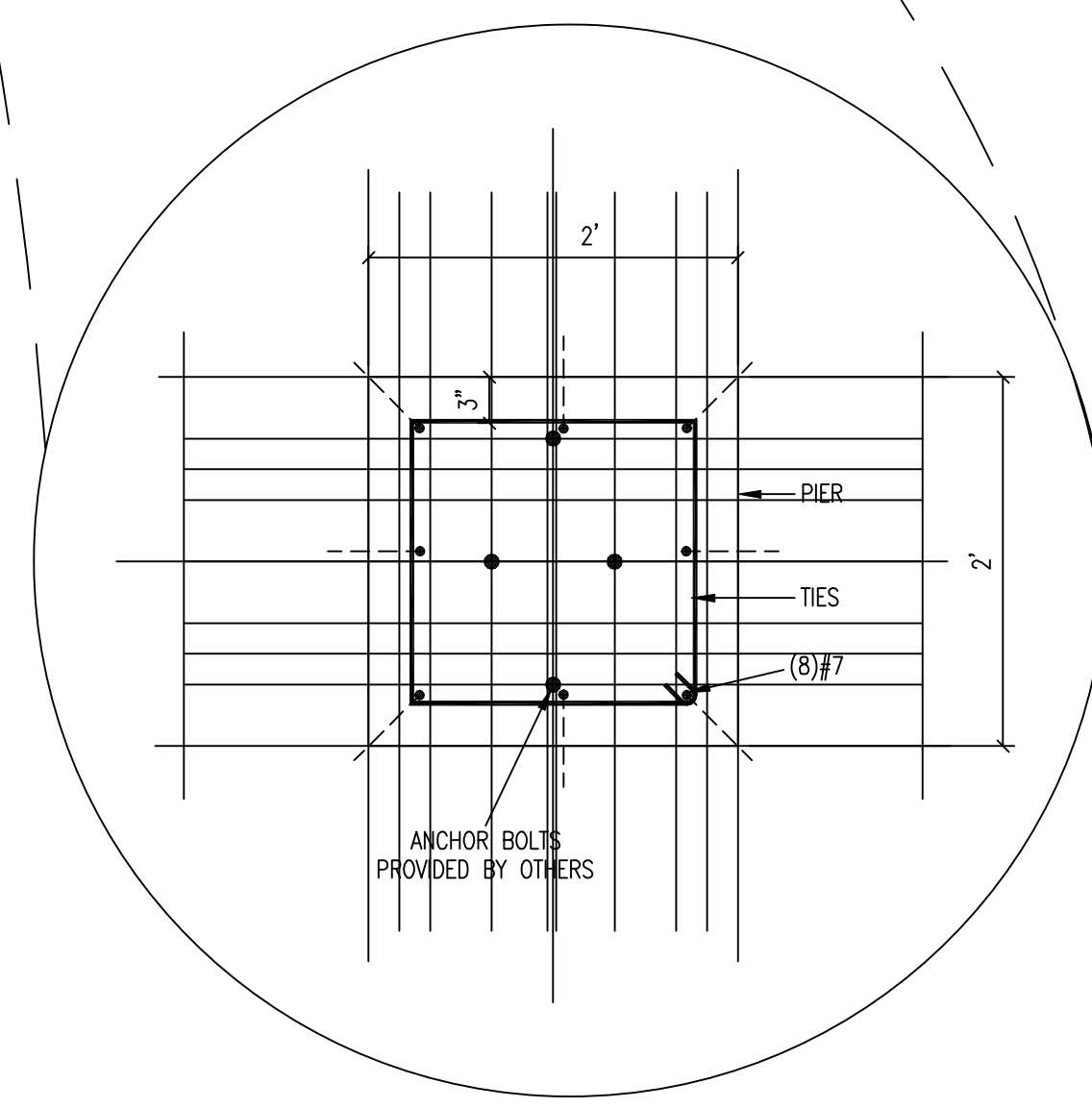
DETAIL C
AGGREGATE STORAGE BIN
SCALE 3/8" = 1'



DETAIL D
CEMENT SILO
SCALE 3/8" = 1'



DETAIL F
SCALE 3/4" = 1'



Date:

AS SHOWN